



Guardian Securistay

for flush aluminium awning windows

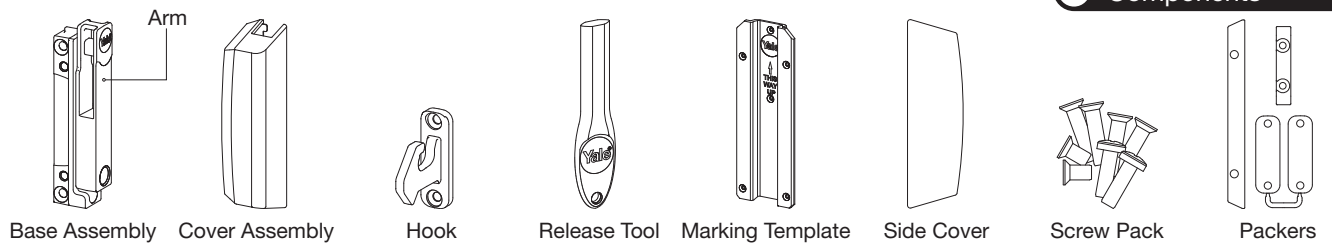
Guardian Securistay: for use with flush aluminium awning windows.

Application: Allows safer ventilation when house is occupied.

Operation:

Restricts window opening. Arm can be disengaged (only when window is closed) to allow wider window opening. When installed correctly, arm re-engages automatically when window is closed.

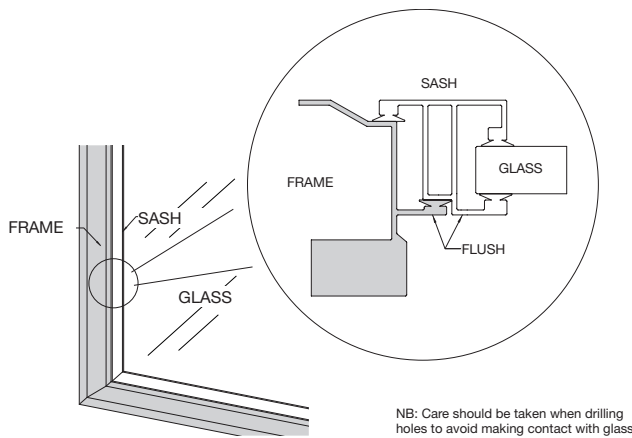
Components



Fixing Instructions

1

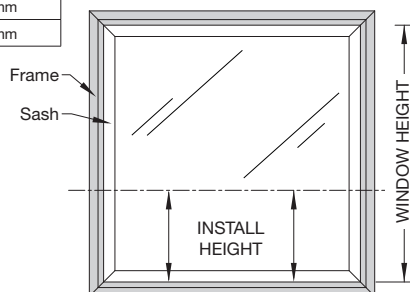
Confirm flush application. See diagram below.
Refer to packer and screw selection chart and select appropriate screws and packers.



2

Determine Guardian install height.
Measure window height and find appropriate install height using chart below. Mark height on window.

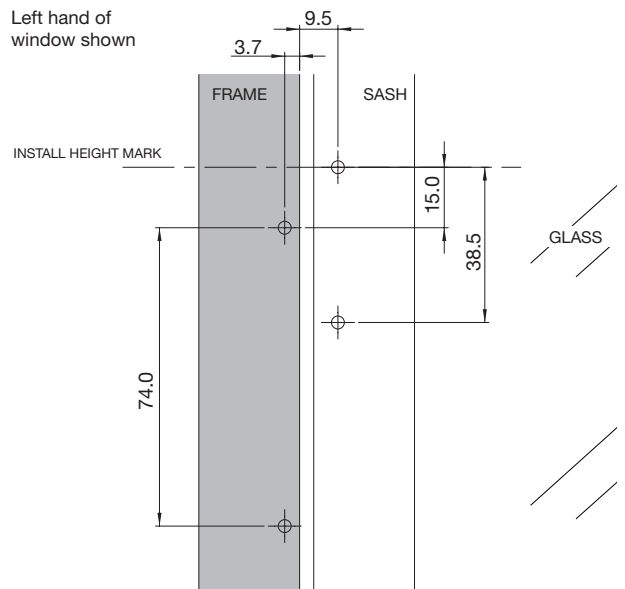
Window Height	Install Height
<600mm	200mm
600mm - 800mm	300mm
>800mm	400mm



3

Drilling Guardian hole positions
All hole positions must be centre punched before drilling

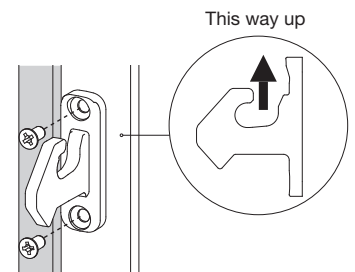
- Mark and centre punch holes in frame and sash
- Drill 2 x 3.2mm holes
- Drill 2 x 3.2mm sash holes



4

Attach hook to sash.

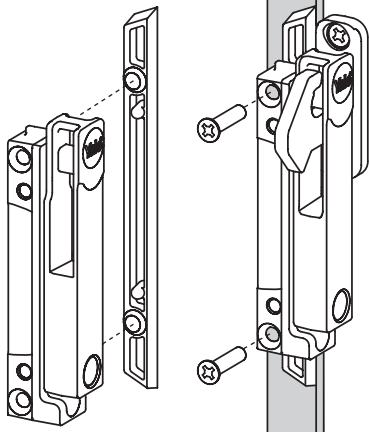
- See packer and screw selection chart
- Attach hook to sash using appropriate screws



5

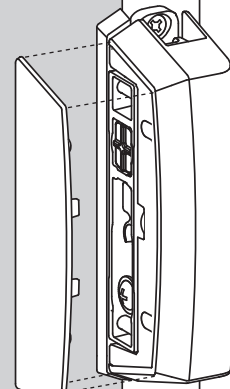
Attach base & base packer to frame

- See packer and screw selection chart
- Fit base packer to base
- Hang arm over hook as shown
- Attach base to frame using appropriate screws



7

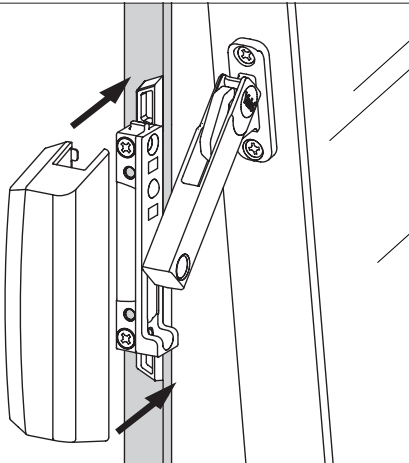
In situations where the back of the restrictor is visible, press the side cover on to the cover assembly.



6

Clip cover on to base

- Cycle the window open and shut to check operation
- Open the window to maximum restricted position
- Line up the cover and base as shown and clip on the cover assembly. Push cover firmly to clip place

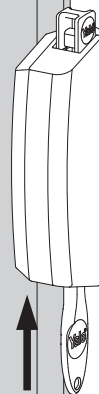


Releasing Restriction

With the window fully closed, insert the release tool into the slot at the bottom of the Guardian Securistay and push firmly until the arm clips up in place.

The window can now be opened un-restricted.

Closing the window automatically re-engages the Guardian Securistay.

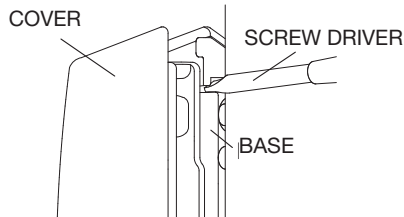


Removing Cover

Care must be taken when removing the cover




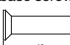

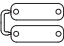

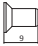
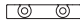

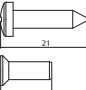
- Release the restriction and fully open window to allow access to back of Guardian.
- Use a small flathead screwdriver or similar tool to release the top plastic cover clip (see image) Gently remove the cover.

VIEW FROM OUTSIDE



Packer and Screw Selection Chart

The optimum window off-set for Guardian Securistay is 6mm. Use the enclosed packers to achieve the optimum 6mm window off-set.

	Window off-set	Packer/s	Base Fixing Screw	Hook Fixing Screw
Standard Application	Flush (no off-set)*	Base packer 6mm Q60342 	24mm base screw 	9mm hook screw 
	5mm to 7mm	No packers required	18mm base screw 	9mm hook screw 
	8mm to 10mm	Hook packers 1mm and 2mm stackable Q60341 	18mm base screw 	9mm hook screw 
Sidefix Application	Side fix (off-set of 15mm or more)	Hook side fix packer Q60345 (Hook packers 1mm and 2mm stackable Q60341 can also be used with the side fix packer to pack out hook) 	18mm base screw 	21mm side fix screw (side fixing packer to window sash). 12mm hook screw (fixing hook to packer) 

* For flush fix installation instruction please visit www.yalelock.co.nz/guardian and click on downloads.

YALE WARRANTY

ASSA ABLOY New Zealand Ltd ("ASSA ABLOY") guarantees its Yale products against defects in workmanship and materials.

If within 10 years of purchase a product is found to be defective, ASSA ABLOY will supply the same or equivalent product free of charge.

ASSA ABLOY assumes no liability under the guarantee for the following:

1. Improper installation or failure to follow fitting instructions.
2. Failure due to improper maintenance.
3. Fair wear and tear.
4. Indirect or consequential loss or damage.
5. Cost of removal and/or replacement.
6. Cost of freight and/or travelling time.
7. Damage to or deterioration of plated finishes (soft finishes) or finishes exposed to a corrosive environment. As deterioration is possible under some environmental conditions.
8. Any modification or repairs to a product, as supplied, unless authorised by ASSA ABLOY.
9. Use of replacement parts other than authorised parts.
10. Malfunction or failure of the product due to the use of non-genuine ASSA ABLOY parts.

Nothing in the ASSA ABLOY New Zealand Limited Warranty excludes, restricts or modifies any condition, warranty, right or liability implied or protected by law where to do so would render the Warranty, or any part of it, void.

